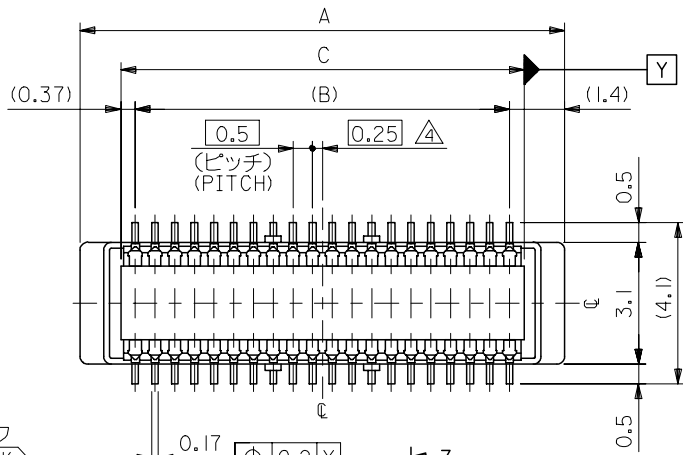
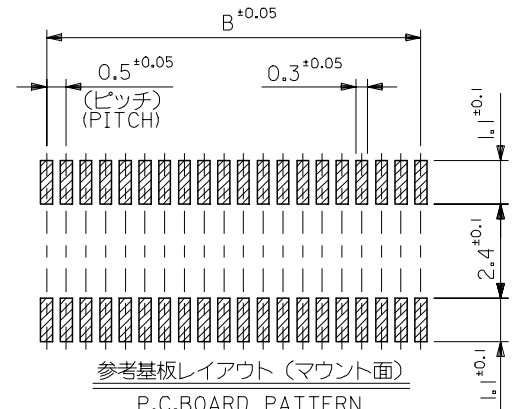
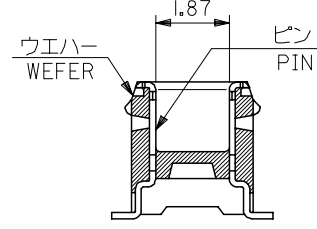
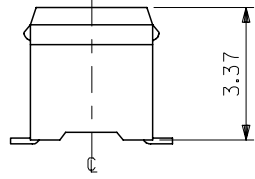
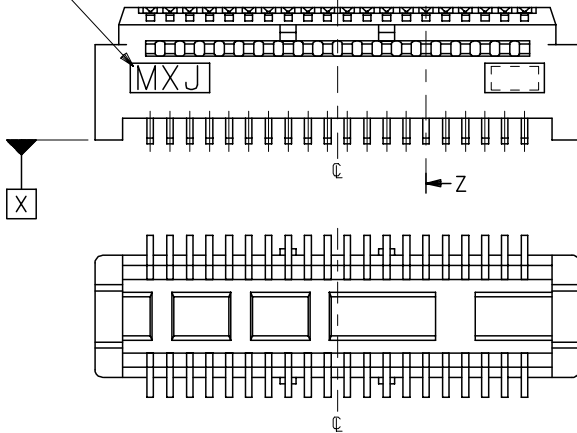


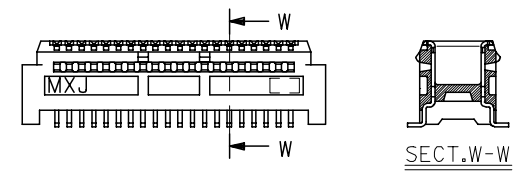
10 9 8 7 6 5 4 3 2 1



トレードマーク
TRADE MARK



参考基板レイアウト (マウント面)
P.C. BOARD PATTERN
DIMENSION (REF.)
(MOUNTING AREA)



60極品以上形状図
SHAPE OF OVER 60CKT.

注記 NOTES:

- 使用材料 MATERIAL
 ウエハー: LCPガラス入り (黒), UL94V-0
 WAFER: LCP(G.F.) (COLOR: BLACK),
 UL94V-0
 ピン: 黄銅 (t=0.15)
 PIN: BRASS (t=0.15)
 - メッキ仕様 PLATING
 全体仕上げ: 金メッキ 0.1 MICROMETER MIN.
 ALL OVER: GOLD 0.1 MICROMETER MIN.
 下地メッキ: ニッケルメッキ 1.5 MICROMETER MIN.
 UNDER PLATING: NICKEL 1.5 MICROMETER MIN.
 - 基準面 [X] からのソルダーテールの半田付け面のズレ量は、上方向 0、
 下方向 0.15MAX. とする。
 MISALIGNMENT OF SOLDER TAIL FROM [X]
 : UPPER DIRECTION 0, LOWER DIRECTION 0.15 MAX.
- △ (全極数/2) = 偶数の場合に適用。
 APPLY FOR (CIRCUIT/2)=EVEN.
- 嵌合相手: 54167 シリーズ
 52991 シリーズ
 MATE WITH: 54167 SERIES,
 52991 SERIES.
 - テール平坦度は、0.1MAX.
 TAIL COPLANARITY TO BE 0.1MAX.

| | | | | |
|-------|------|------|--------------|---------------|
| 20.24 | 19.5 | 22.3 | 53916-0801 | 80 |
| 17.74 | 17.0 | 19.8 | -0701 | 70 |
| 15.24 | 14.5 | 17.3 | -0601 | 60 |
| 12.74 | 12.0 | 14.8 | -0501 | 50 |
| 10.24 | 9.5 | 12.3 | -0401 | 40 |
| 7.74 | 7.0 | 9.8 | -0301 | 30 |
| 5.24 | 4.5 | 7.3 | 53916-0201 | 20 |
| C | B | A | MATERIAL NO. | 極数 CIRCUIT |

| | | | | | | | | | |
|---|---|--|-------|----------------------------|-------------------|--|------------------------|---------------------------|--|
| REVISED EC NO: J2006-0604 DR: NNAIDA CHK: KYOYODA APP: NUKITA | DESCRIPTION 2005/08/31 2005/09/01 2005/09/09 | GENERAL TOLERANCES (UNLESS SPECIFIED) | | DIMENSION STYLE MM ONLY | | SCALE --- | DESIGN UNITS METRIC | THIRD ANGLE PROJECTION | |
| | | 10 UNDER | ±0.2 | DRAWN BY S. AIHARA | DATE '96/11/28 | TITLE 0.5 B/B CONN PLUG ASSY (W/O BOSS, W/O NAIL) -LEAD FREE- | | | |
| | | 10 OVER 30 UNDER | ±0.25 | CHECKED BY M. SASAO | DATE '01/12/26 | | | | |
| | | 30 OVER | ±0.3 | APPROVED BY M. SASAO | DATE '01/12/26 | | | | |
| ANGULAR ±3 ° | | DRAFT WHERE APPLICABLE MUST REMAIN WITHIN DIMENSIONS | | MATERIAL NO. SEE CHART | | DOCUMENT NO. SD-53916-001 | | SHEET NO. 1 OF 2 | |
| SIZE A3 THIS DRAWING CONTAINS INFORMATION THAT IS PROPRIETARY TO MOLEX INCORPORATED AND SHOULD NOT BE USED WITHOUT WRITTEN PERMISSION | | | | | | | | | |

10 9 8 7 6 5 4 3 2 1

F

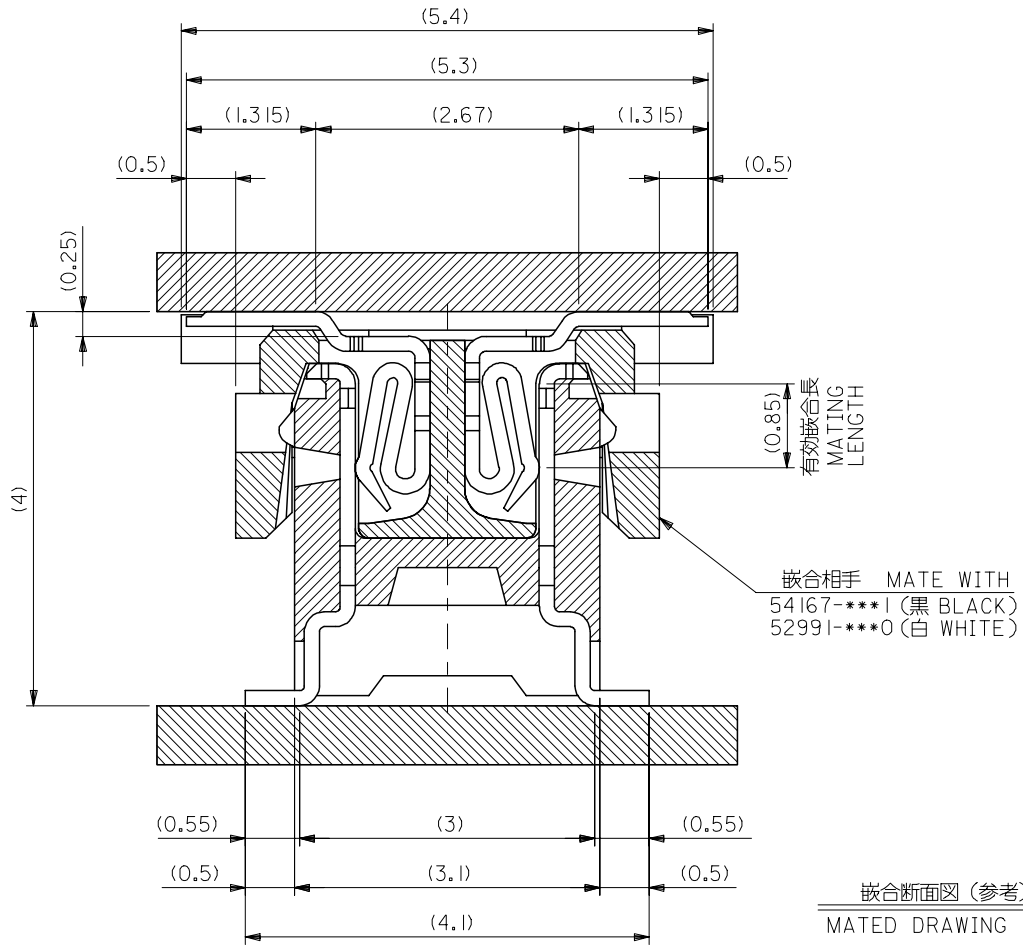
E

D

C

B

A

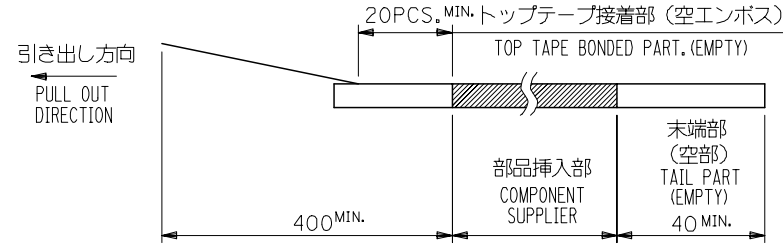
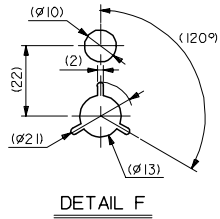
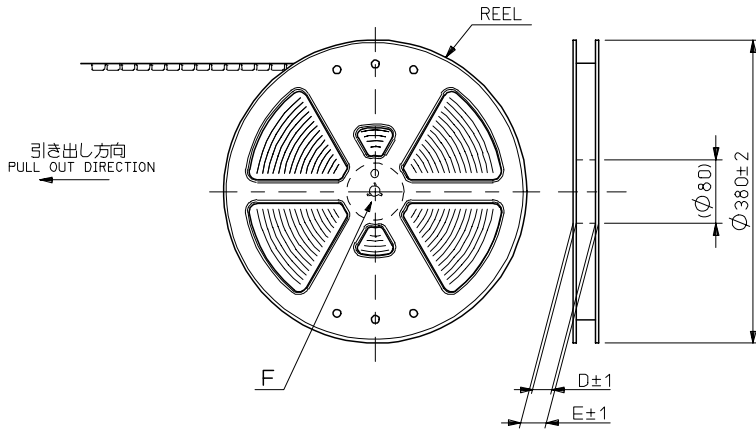


53916-***1 MODEL NO.

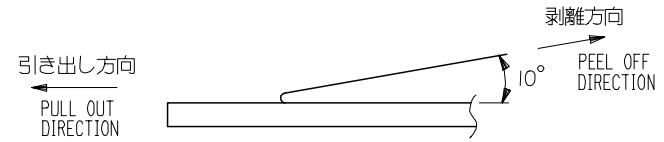
| | | | | | | | | |
|---|---------------------------------------|--|----------------------------|---|--|------------------------|------------------------|--|
| REVISED EC NO: J2006-0604 DRW:NAIDA 2005/08/31 CHK:KTOYODA 2005/09/01 APP:NUKITA 2005/09/09 | GENERAL TOLERANCES (UNLESS SPECIFIED) | | DIMENSION STYLE MM ONLY | | SCALE --- | DESIGN UNITS METRIC | THIRD ANGLE PROJECTION | |
| | 10 UNDER | ± --- | DRAWN BY S. AIHARA | DATE '96/11/28 | TITLE 0.5 B/B CONN PLUG ASSY (W/O BOSS, W/O NAIL) -LEAD FREE- | | | |
| | 10 OVER 30 UNDER | ± --- | CHECKED BY M. SASAO | DATE '01/12/26 | MOLEX INCORPORATED | | | |
| | 30 OVER | ± --- | APPROVED BY M. SASAO | DATE '01/12/26 | DOCUMENT NO. SD-53916-001 | | | |
| | ANGULAR ± --- ° | DRAFT WHERE APPLICABLE MUST REMAIN WITHIN DIMENSIONS | | MATERIAL NO. SEE CHART | | SHEET NO. 2 OF 2 | | |
| | | SIZE A3 | | THIS DRAWING CONTAINS INFORMATION THAT IS PROPRIETARY TO MOLEX INCORPORATED AND SHOULD NOT BE USED WITHOUT WRITTEN PERMISSION | | | | |

NOTES

- 製品詳細寸法については図面 SD-53916-001 を参照下さい。
RE DETAILED DIMENSION, SEE SD-53916-001
- 梱包数量：1500個/リール
NUMBER OF CONNECTORS：1500PCS/REEL
- リードテープ長さ LEAD TAPE LENGTH



- トップテープの剥離強度：0.1N~1.3N (10gf~130gf) (剥離方向は下図参照) 尚、本規格値は出荷時に適用。(但し、輸送時に剥離が発生しないこと。)
PEELING OFF FORCE OF TOP TAPE：0.1N~1.3N (10gf~130gf) (PEELING DIRECTION AS SHOWN IN FOLLOWING FIG.) THIS REQUIREMENT SHOULD BE APPLIED AT SHIPMENT. PEEL OFF SHOULD NOT BE ALLOWED, DURING TRANSPORTATION.



- 材料(MATERIAL)
キャリアテープ(CARRIER TAPE)：ポリプロピレン(POLYPROPYLENE)
トップテープ(TOPTAPE)：PET, PE, PEF
リール(REEL)：ポリスチレン(P.S) <リサイクル材を含む>
POLYSTYREN(PS) <RECYCLE MATERIAL CONTAINED>

53916-***8 MODEL NO.

| | | | | | | |
|--|--|--------|-----------------------------|---|--|------------------------|
| REVISED EC NO: J2006-0604 DRW:NNAIDA 2005/08/31 CHKD:KTOYODA 2005/09/01 APPR:NUKITA 2005/09/09 | GENERAL TOLERANCES (UNLESS SPECIFIED) | | DIMENSION STYLE MM ONLY | SCALE --- | DESIGN UNITS METRIC | THIRD ANGLE PROJECTION |
| | 10 UNDER | ± 0.2 | DRAWN BY S. AIHARA | DATE '96/11/27 | TITLE 0.5 B/B CONN PLUG ASSY EMBSTP PKG -LEAD FREE- | |
| | 10 OVER 30 UNDER | ± 0.25 | CHECKED BY T. ITO | DATE '01/01/26 | MOLEX INCORPORATED | |
| | 30 OVER | ± 0.3 | APPROVED BY M. FUKUSHIMA | DATE '01/01/26 | DOCUMENT NO. SD-53916-002 | SHEET NO. 1 OF 4 |
| G | ANGULAR | ± 3 ° | MATERIAL NO. SEE CHART | THIS DRAWING CONTAINS INFORMATION THAT IS PROPRIETARY TO MOLEX INCORPORATED AND SHOULD NOT BE USED WITHOUT WRITTEN PERMISSION | | |
| | DRAFT WHERE APPLICABLE MUST REMAIN WITHIN DIMENSIONS | | SIZE A3 | | | |

10 9 8 7 6 5 4 3 2 1

F

E

D

C

B

A

F

E

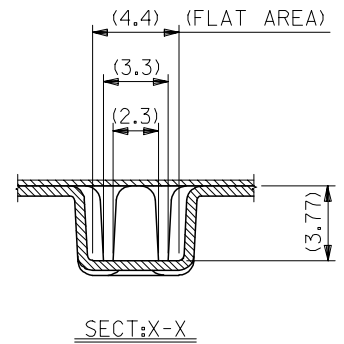
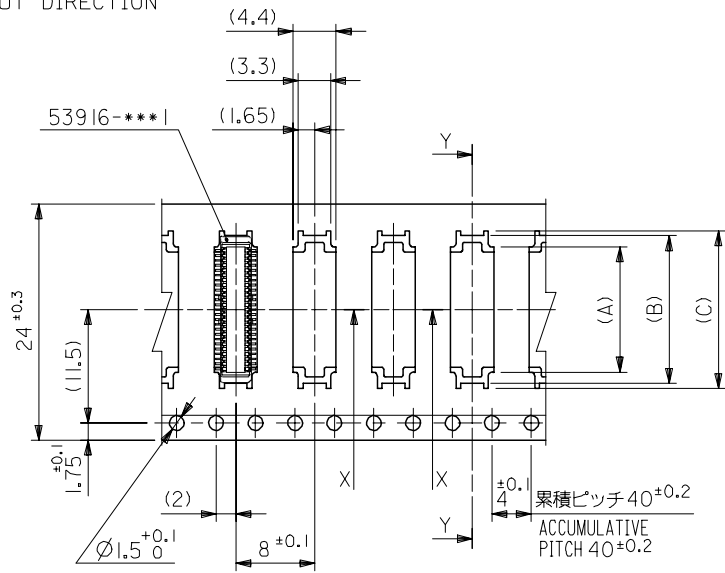
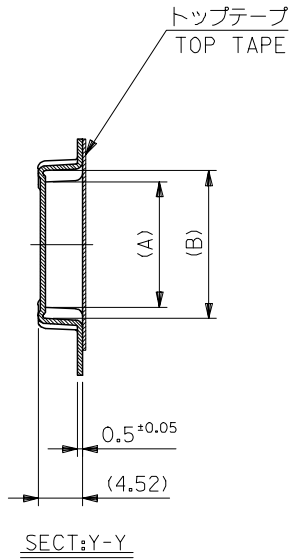
D

C

B

A

引き出し方向
PULL OUT DIRECTION



24mm幅キャリアテープ
24mm WIDTH CARRIER TAPE

| | | | | | | | |
|----|------|------|------|------|-------|------------|----|
| 24 | 29.4 | 25.4 | 16 | 15 | 12.67 | 53916-0508 | 50 |
| | | | 13.5 | 12.5 | 10.17 | 53916-0408 | 40 |
| | | | 11 | 10 | 7.67 | 53916-0308 | 30 |
| | | | 8.5 | 7.5 | 5.17 | 53916-0208 | 20 |

| | | | | | | | | | |
|--|---------|---|-------------------|--|--------------|------------------------|-----|------------------------|---------------|
| 53916-***8 MODEL NO. | | キャリアテープ幅 CARRIER TAPE WIDTH | E | D | (C) | (B) | (A) | MATERIAL NO. | 極数 CIRCUIT |
| GENERAL TOLERANCES (UNLESS SPECIFIED) | | DIMENSION STYLE MM ONLY | | | SCALE --- | DESIGN UNITS METRIC | | THIRD ANGLE PROJECTION | |
| 10 UNDER | ± --- | DRAWN BY S. AIHARA | DATE '96/11/27 | TITLE 0.5 B/B CONN PLUG ASSY EMBSTP PKG -LEAD FREE- | | | | | |
| 10 OVER 30 UNDER | ± --- | CHECKED BY T. ITO | DATE '01/01/26 | MOLEX INCORPORATED | | | | | |
| 30 OVER | ± --- | APPROVED BY M. FUKUSHIMA | DATE '01/01/26 | MATERIAL NO. | | DOCUMENT NO. | | SHEET NO. | |
| ANGULAR | ± --- ° | SEE CHART | | SD-53916-002 | | 2 OF 4 | | | |
| DRAFT WHERE APPLICABLE MUST REMAIN WITHIN DIMENSIONS | | THIS DRAWING CONTAINS INFORMATION THAT IS PROPRIETARY TO MOLEX INCORPORATED AND SHOULD NOT BE USED WITHOUT WRITTEN PERMISSION | | | | | | | |

10 9 8 7 6 5 4 3 2 1

F

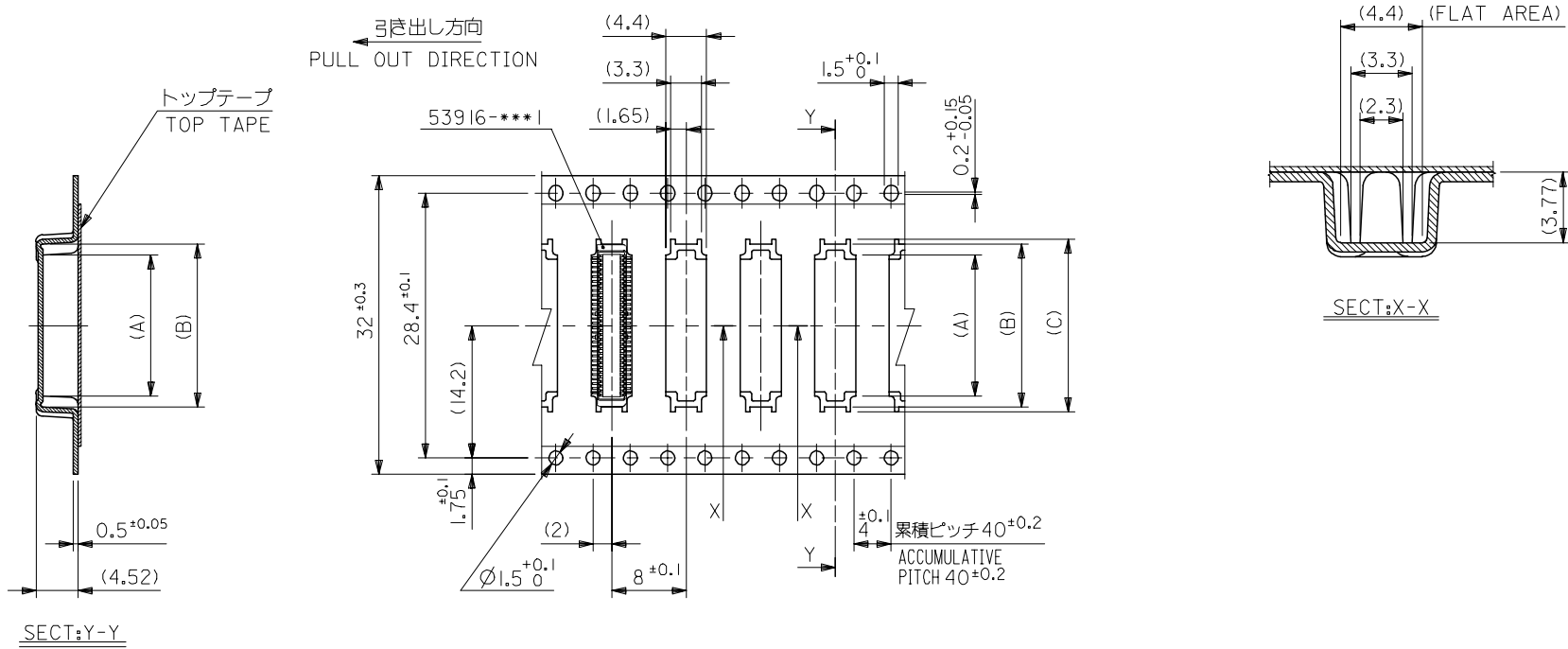
E

D

C

B

A



32mm幅キャリアテープ
32mm WIDTH CARRIER TAPE

| | | | | | | | | | | | | | | | | | | |
|---|---------------------------------------|------------|------------|--------------|--------------|--------------|-------------|--------------|-----------------|--------------|-------|--------|--------------|------------------------|------------------------|-------|------------|----|
| REVISED | EC NO: J2006-0604 | 2005/08/31 | DRWN:NAIDA | 2005/09/01 | CHKDK:TOYODA | 2005/09/09 | APPR:NUKITA | DESCRIPTION | 53916-***8 | MODEL NO. | 32 | 37.4 | 33.4 | 18.5 | 17.5 | 15.17 | 53916-0608 | 60 |
| G | GENERAL TOLERANCES (UNLESS SPECIFIED) | | | | | | | | DIMENSION STYLE | | SCALE | | DESIGN UNITS | | THIRD ANGLE PROJECTION | | | |
| 10 UNDER | | ± --- | | DRAWN BY | | DATE | | TITLE | | --- | | METRIC | | 0.5 B/B CONN PLUG ASSY | | | | |
| 10 OVER 30 UNDER | | ± --- | | T. YASUI | | '97/05/14 | | EMBSTP PKG | | | | | | -LEAD FREE- | | | | |
| 30 OVER | | ± --- | | T. ITO | | '01/01/26 | | APPROVED BY | | DATE | | MOLEX | | MOLEX INCORPORATED | | | | |
| ANGULAR | | ± --- ° | | M. FUKUSHIMA | | '01/01/26 | | MATERIAL NO. | | DOCUMENT NO. | | | | SHEET NO. | | | | |
| DRAFT WHERE APPLICABLE MUST REMAIN WITHIN DIMENSIONS | | | | SEE CHART | | SD-53916-002 | | | | | | | | 3 OF 4 | | | | |
| SIZE A3 THIS DRAWING CONTAINS INFORMATION THAT IS PROPRIETARY TO MOLEX INCORPORATED AND SHOULD NOT BE USED WITHOUT WRITTEN PERMISSION | | | | | | | | | | | | | | | | | | |

10 9 8 7 6 5 4 3 2 1

F

E

D

C

B

A

F

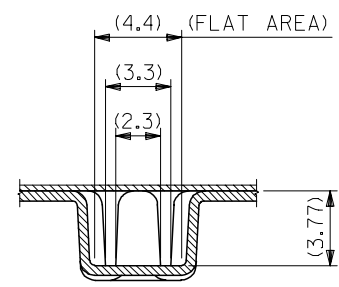
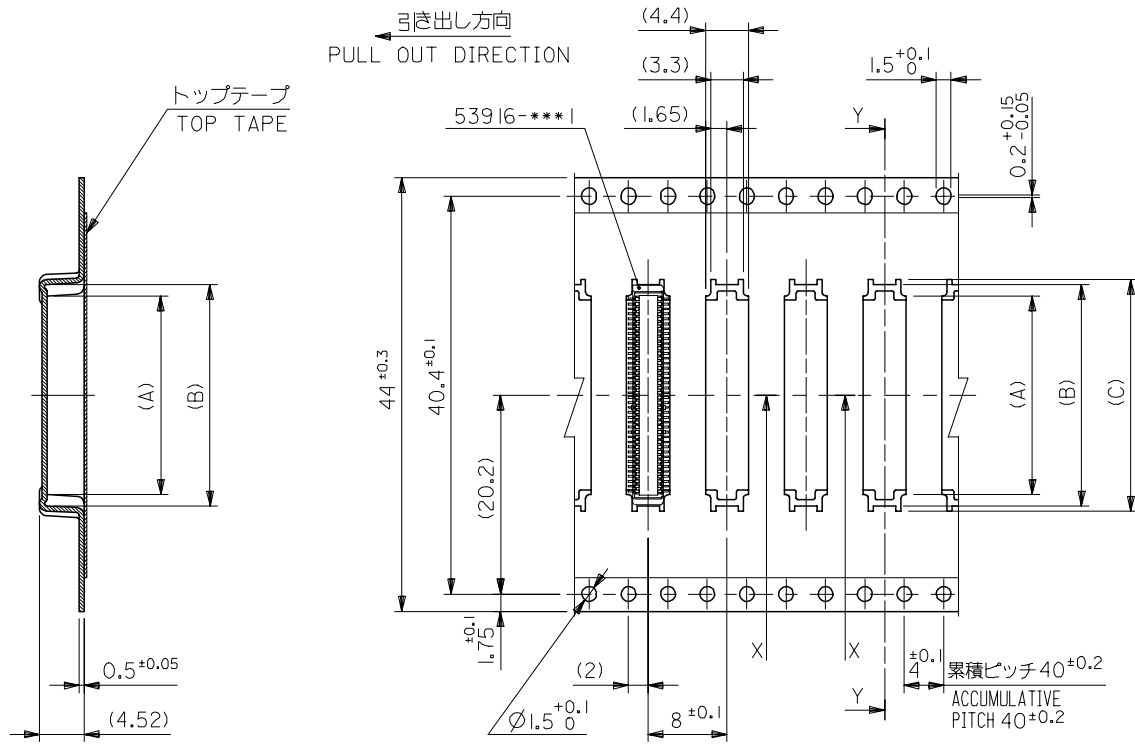
E

D

C

B

A



SECT:Y-Y

44mm幅キャリアテープ
44mm WIDTH CARRIER TAPE

| | | | | | | | | | | | | | | | | | | | | | | | | | | | | | |
|------------------------|--|------------------------|--|--|--|------------|--|--------------|--|------------------------|--|--------------------|--|-----|--|------|--|------|--|------|--|------|--|--------------|--|--|--|----|--|
| REVISED | | EC NO: J2006-0604 | | 2005/08/31 | | 2005/09/01 | | 2005/09/09 | | 53916-***8 | | MODEL NO. | | 44 | | 49.4 | | 45.4 | | 23.5 | | 22.5 | | 20.17 | | 53916-0808 | | 80 | |
| DRAWN BY | | DATE | | TITLE | | SCALE | | DESIGN UNITS | | THIRD ANGLE PROJECTION | | CARRIER TAPE WIDTH | | E | | D | | (C) | | (B) | | (A) | | MATERIAL NO. | | 極数 | | | |
| CHECKED BY | | DATE | | 0.5 B/B CONN PLUG ASSY | | --- | | METRIC | | ◎ □ | | E | | --- | | --- | | --- | | --- | | --- | | 53916-0808 | | 80 | | | |
| APPROVED BY | | DATE | | EMBSTP PKG | | --- | | --- | | --- | | --- | | --- | | --- | | --- | | --- | | --- | | --- | | --- | | | |
| MATERIAL NO. | | DOCUMENT NO. | | -LEAD FREE- | | --- | | --- | | --- | | --- | | --- | | --- | | --- | | --- | | --- | | --- | | --- | | | |
| SIZE | | SEE CHART | | MOLEX INCORPORATED | | --- | | --- | | --- | | --- | | --- | | --- | | --- | | --- | | --- | | --- | | --- | | | |
| G | | A3 | | SD-53916-002 | | --- | | --- | | --- | | --- | | --- | | --- | | --- | | --- | | --- | | --- | | 4 OF 4 | | | |
| DESCRIPTION | | DRAFT WHERE APPLICABLE | | THIS DRAWING CONTAINS INFORMATION THAT IS PROPRIETARY TO MOLEX | | --- | | --- | | --- | | --- | | --- | | --- | | --- | | --- | | --- | | --- | | INCORPORATED AND SHOULD NOT BE USED WITHOUT WRITTEN PERMISSION | | | |
| GENERAL TOLERANCES | | UNLESS SPECIFIED | | --- | | --- | | --- | | --- | | --- | | --- | | --- | | --- | | --- | | --- | | --- | | --- | | | |
| 10 UNDER | | ± --- | | --- | | --- | | --- | | --- | | --- | | --- | | --- | | --- | | --- | | --- | | --- | | --- | | | |
| 10 OVER | | 30 UNDER | | ± --- | | --- | | --- | | --- | | --- | | --- | | --- | | --- | | --- | | --- | | --- | | --- | | | |
| 30 OVER | | ± --- | | --- | | --- | | --- | | --- | | --- | | --- | | --- | | --- | | --- | | --- | | --- | | --- | | | |
| ANGULAR | | ± --- ° | | --- | | --- | | --- | | --- | | --- | | --- | | --- | | --- | | --- | | --- | | --- | | --- | | | |
| DRAFT WHERE APPLICABLE | | MUST REMAIN | | --- | | --- | | --- | | --- | | --- | | --- | | --- | | --- | | --- | | --- | | --- | | --- | | | |
| WITHIN DIMENSIONS | | --- | | --- | | --- | | --- | | --- | | --- | | --- | | --- | | --- | | --- | | --- | | --- | | --- | | | |